

## Analog Input; for Thermocouples

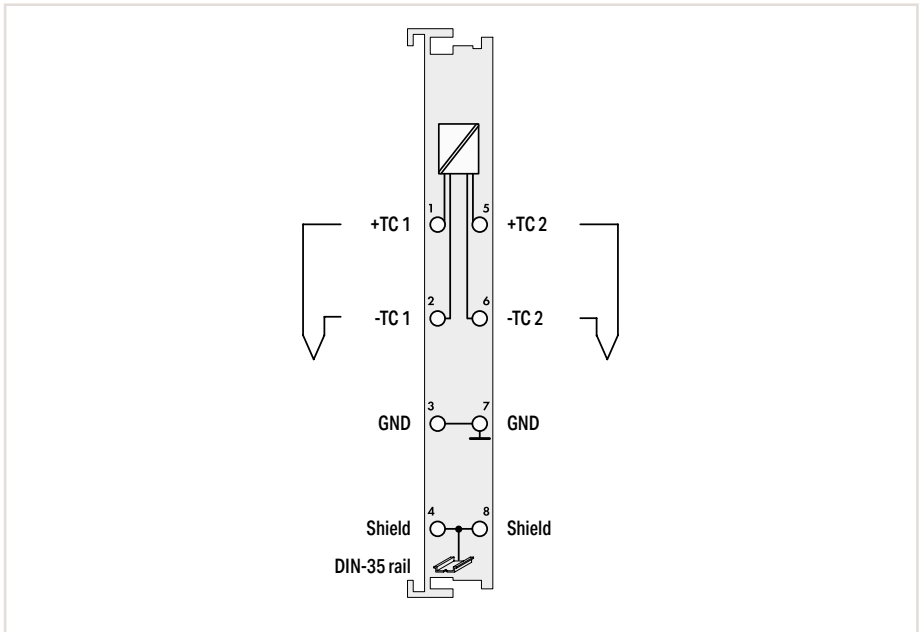
5.4



Figure: 750-469

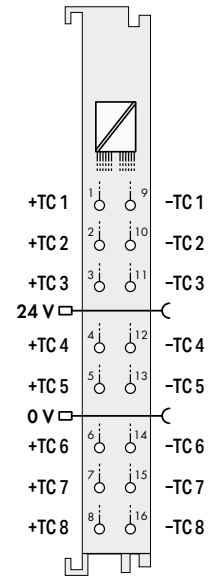
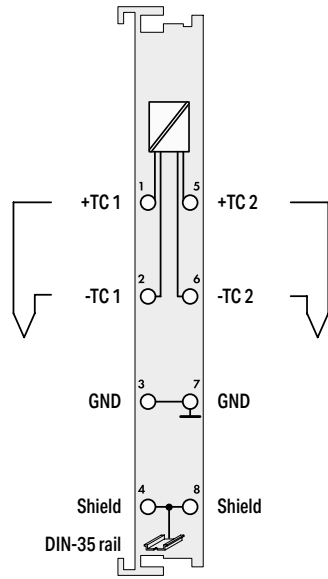


Figure: 750-458



Item Description		2-Channel Analog Input; Thermocouple K; Diagnostics				
Version		Standard	Pluggable (delivery without connector)	Adjustable	Pluggable (delivery without connector); Adjustable	Data format (S5 control)
Item No.		750-469	753-469	750-469/003-000	753-469/003-000	750-469/000-200
Order Text		2AI; TC K; Diagn	2AI; TC K; Diagn	2AI; TC K; Diagn Adjust	2AI; TC K; Diagn Adjust	2AI; TC K; Diagn; S5
<b>Technical Data</b>						
Pluggable connector			•		•	
Customized data format for S5 control*						•
Number of analog inputs		2				
Signal type		Thermocouple K	Thermocouple K; Configurable: L; J; E; T; N; U; B; R; S; mV		Thermocouple K	
Temperature range		-100 ... +1370 °C	Sensor-specific		-100 ... +1370 °C	
Resolution		0.1 °C				
Conversion time		320 ms				
Measuring error (max.) at 25 °C		±6 K (voltage input: ±2 K; cold junction compensation: ±4 K)				
Temperature error (max.)		±0.2 K/K				
Cold junction compensation		Integrated or external				
Supply voltage (field)						
Current consumption – system supply (5 V)		65 mA				
Data width		2 x 16-bit data; 2 x 8-bit control/status (optional)				
Isolation		500 V (system/field)				
Surrounding air temperature (operation)		0 ... +55 °C				
Dimensions W x H x D		12 x 69.8 x 100 mm				
Approvals		CE; Marine; OrdLoc/HazLoc; ATEX/IECEx				
Data sheet and further information, see:		<a href="http://wago.com/750-469">wago.com/750-469</a>	<a href="http://wago.com/753-469">wago.com/753-469</a>	<a href="http://wago.com/750-469">wago.com/750-469</a>	<a href="http://wago.com/753-469">wago.com/753-469</a>	<a href="http://wago.com/750-469">wago.com/750-469</a>
<b>Accessories</b>		<b>Item No.</b>		<b>Item No.</b>		
Pluggable connector		753-110		753-110		
Coding keys		753-150		753-150		

\*The S5 format allows you to import data with the standard S5 FB 250 function block.



**2-Channel Analog Input; Thermocouple; Diagnostics**

Thermocouple S	Thermocouple T	Thermocouple J	Thermocouple E	Thermocouple L	Thermocouple $\pm 120$ mV;
750-469/000-001	750-469/000-002	750-469/000-006	750-469/000-008	750-469/000-012	750-469/000-003
2AI; TC S; Diagn	2AI; TC T; Diagn	2AI; TC J; Diagn	2AI; TC E; Diagn	2AI; TC L; Diagn	2AI; TC $\pm 120$ mV; Diagn

**8-Channel Analog Input; Thermocouple; Ad-justable**

Standard
750-458
8AI; TC; Adjust

2					
Thermocouple S	Thermocouple T	Thermocouple J	Thermocouple E	Thermocouple L	$\pm 120$ mV
-50 ... +1700 °C	-100 ... +400 °C	-100 ... +1200 °C	-100 ... +1000 °C	-100 ... +900 °C	

8
Thermocouple K; Configurable: J; B; E; N; R; S; T; U; C; Voltage measurement: -30 ... +30 mV; -60 ... +60 mV; -120 ... +120 mV; -240 ... +240 mV
Sensor-specific

0.1 °C  
320 ms  
 $\pm 6$  K (voltage input:  $\pm 2$  K; cold junction compensation:  $\pm 4$  K)

0.1 °C  
Per channel:  $\leq 100$  ms  
Without cold junction compensation:  $\pm 1$  K (type E, N, K, T, J, C);  $\pm 2$  K (type S, R);  $\pm 3$  K (type B);  
Cold-junction compensation measurement error:  $\pm 4$  K

$\pm 0.2$  K/K  
Integrated or external

$\pm 0.05$  K/K  
Integrated or external  
24 VDC (-25 ... +30 %); via power jumper contacts (power supply via blade contact; transmission via spring contact)

65 mA  
2 x 16-bit data; 2 x 8-bit control/status (optional)  
500 V (system/field)  
0 ... +55 °C

100 mA  
8 x 16-bit data; 8 x 8-bit control/status (optional)  
500 V (system/field)  
0 ... +55 °C

12 x 69.8 x 100 mm  
CE; Marine; OrdLoc/HazLoc; ATEX/IECEX

12 x 69.8 x 100 mm  
CE; Marine; OrdLoc/HazLoc; ATEX/IECEX

wago.com/750-469

wago.com/750-458